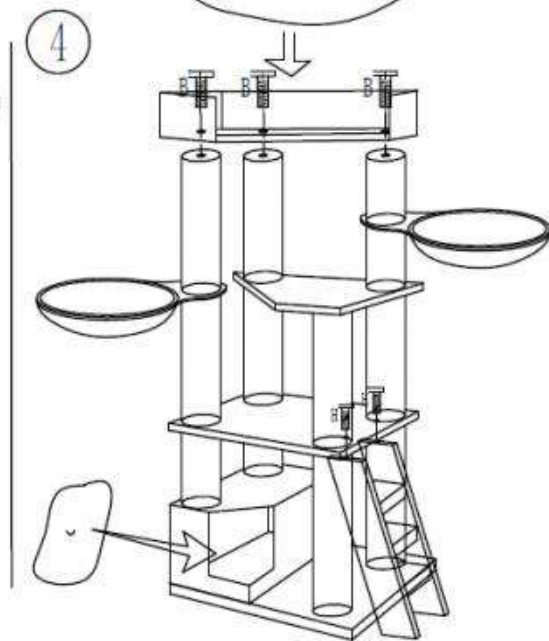
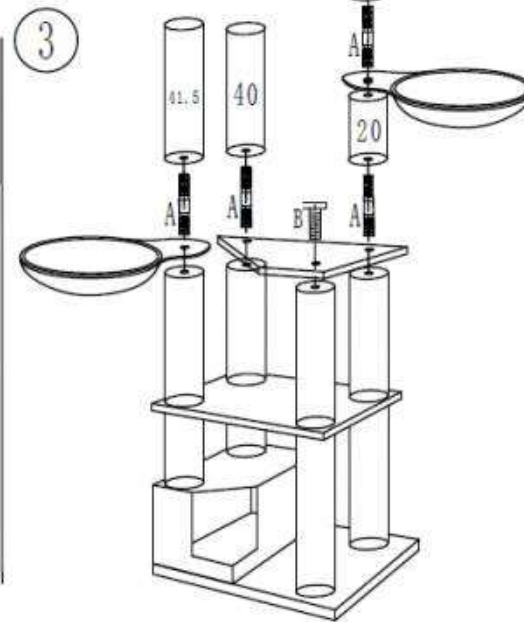
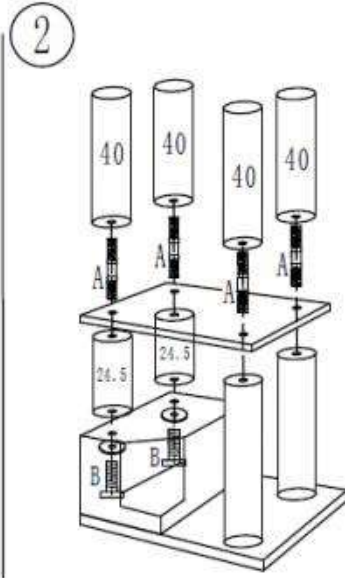
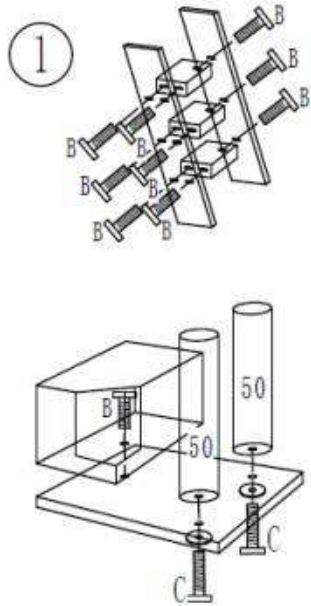




Quality

Easy Build up plan



- 1 × $\text{Ø} 12 \times 19.5 \text{cm}$ 1/2
- 1 × $\text{Ø} 12 \times 20 \text{cm}$ 1/2
- 2 × $\text{Ø} 12 \times 24.5 \text{cm}$ 2/2
- 5 × $\text{Ø} 12 \times 40 \text{cm}$ 1/2
- 1 × $\text{Ø} 12 \times 41.5 \text{cm}$ 2/2
- 2 × $\text{Ø} 12 \times 50 \text{cm}$ 2/2
- 3 × 1/2

- 1 × $65 \times 55 \times 4 \text{cm}$ 1/2
- 1 × $60 \times 50 \text{cm}$ 2/2
- 1 × $60 \times 50 \text{cm}$ 2/2
- 1 × $60 \times 50 \times 12 \text{cm}$ 2/2
- 1 × 1/2
- 1 × 1/2

- 1 × $55 \times 30 \times 25 \text{cm}$ 1/2
- 1 × 1/2
- 1 × 1/2
- 2 × $\text{Ø} 45 \text{cm}$ 2/2

- 1 × $6 \times 50 \text{mm}$ 1/2
- 1 × $8 \times 60 \text{mm}$
- (8+1) × $\text{Ø} 8 \times 70 \text{mm}$ (A)
- (16+1) × $\text{Ø} 8 \times 40 \text{mm}$ (B)
- 2 × $\text{Ø} 8 \times 60 \text{mm}$ (C)
- 2 × $\text{Ø} 6 \times 35 \text{mm}$ (H)
- 4 ×